

RX54-300

Digital Electricity™ Receiver, 300 W, 54 VDC Output, 1-Pair, Indoor, Chassis/Wall Mount



The RX54-300 Receiver is a component in a Digital Electricity line powering system. When paired with a VoltServer transmitter unit, a Digital Electricity™ (DE) system is formed. If a fault occurs within the DE wiring (such as a person touching the wires), power is disconnected, preventing fire, equipment damage and personal injury. The RX54-300 is a **Listed** product, certified to safety and EMC standards by a **Nationally Recognized Testing Laboratory**.

RX54-300 Features

- + Up to 300 W
- + 1 Input Channel
- + Fixed 55 Vdc Output
- + 3 Output Channels
- + Chassis/Wall Mount

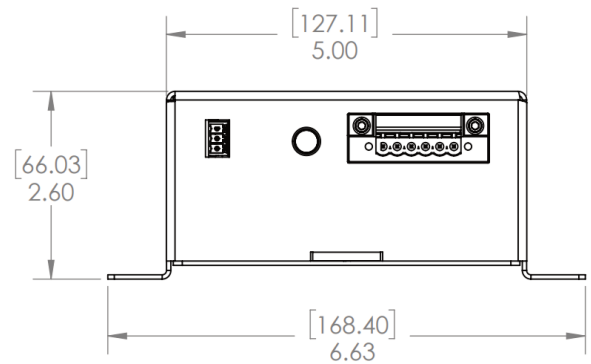
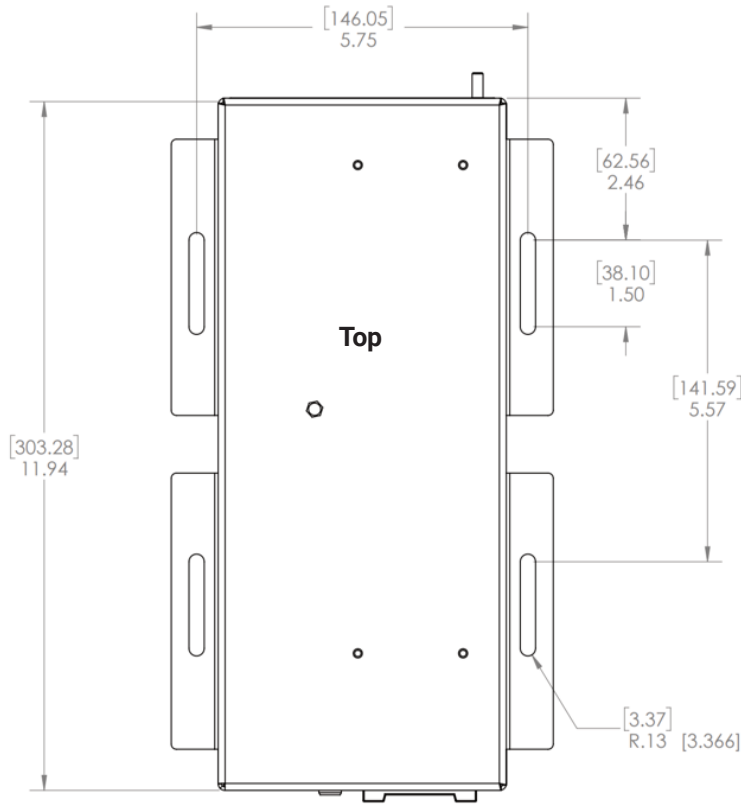
Digital Electricity is a Limited Power Source per UL/CSA/IEC 62368-1 suitable for supplying a Class 2 circuit under NEC Art.725 and CEC Rule 16-200 (Note: Always follow local codes).

TYPE	PARAMETER	SPECIFICATION	NOTES
Input	Voltage	310-350 Vdc (336 Vdc Nominal)	Must be supplied by listed VoltServer transmitter shelf
	Number of Channels	1	
	Current, Total	1 A Max	
Output	Voltage	54 -56 Vdc	Fixed 5 Vdc Output
	Current	5.55 A MAX	300 W@5 Vdc
	Output Wire Gauge	18 AWG MIN	Output Connector Accepts 18-16 AWG
Environment	Operating Temperature	0C°(32°F) to 50°C(122 F)°	Operation below 0° C(32 °F) and above 50 C° (122 °F) is not recommended and not covered by warranty
	Altitude	Up to 2000 m	
Mechanical	Dimensions	See page 2	
	Weight	2.96 lbs	
Approvals	Safety	IEC 62368-1	
	EMC	IEC 55032 (CISPR 32) - Class A FC Part 15 - Class A	
	Environmental	RoHS	
Box Contents	Hardware Kit	(1) Terminal Block Plug, 3 position, straight, 3.5 mm pitch (MFN: 1952270) (1) Terminal Block Plug, 6 position, straight, 5 mm pitch (MN: 1910568) (1) 18-8 Stainless Steel Locknut with External-Tooth Lock Washer 10-32 Thread Size (1) Ring Terminal Connector #10 Stud Circular 10-12 AWG Crimp (MN: 0190700123)	

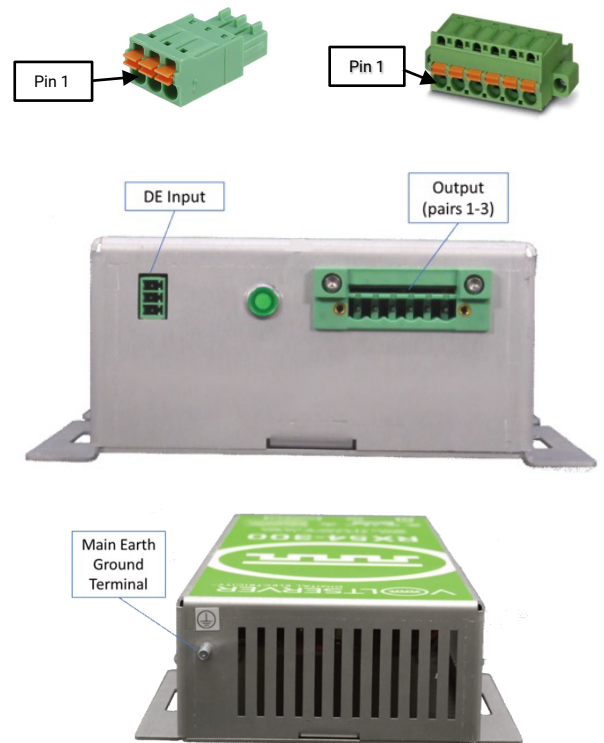
RX54-300 Digital Electricity Receiver, 300 W, 54 VDC Output, 1-Pair, Indoor, Chassis/Wall Mount

Detailed Dimensions

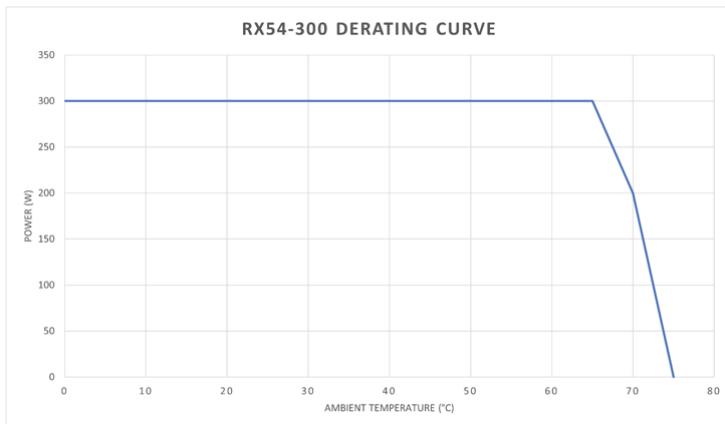
inches [mm]



Connection Diagrams



Temperature Derating Curve:



Customer Support: support@voltserver.com | 888-622-8658, Option 1 | VoltServer Inc. | www.voltserver.com | contact@voltserver.com

Rev N - 240306

To learn more, contact us at voltserver.com | 888-622-8658

Specifications are subject to change without notice.